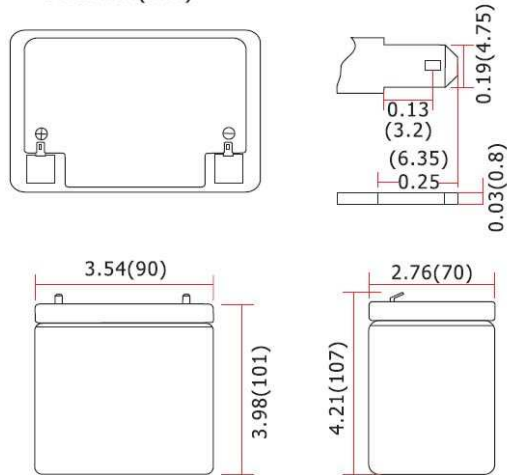


NAVAIO - NP 5

ACUMULATOR 12V 5AH

Unit: inch(mm)



■ Discharge Current and Discharge Duration Time		■ Specification		
		Nominal Voltage		
		12V		
		Rated Capacity (20hr Rate)		
		5Ah		
		Dimensions	Length	3.54inches(90mm)
			Width	2.76inches(70mm)
Height	3.98inches(101mm)			
Total Height		4.21inches(107mm)		
Weight		Approx. 3.43lbs (1.56kg)		
■ Characteristics				
Capacity 77°F(25°C)	20hour rate (0.25A)	5.00Ah		
	10hour rate (0.46A)	4.60Ah		
	5hour rate (0.85A)	4.25Ah		
	1hour rate (3.25A)	3.25Ah		
Internal Resistance	Full Charged, 77°F(25°C)	25mΩ		
	104°F(40°C)	102%		
	77°F(25°C)	100%		
	32°F(0°C)	85%		
Capacity Affected By Temperature (10hr Rate)	5°F(-15°C)	65%		
	Self-Discharge 77°F(25°C)			
	Capacity after 3 month storage	90%		
Capacity after 6 month storage		80%		
Capacity after 9 month storage		60%		
Charge (Constant Voltage)	Initial Charge Current "LESS" than 1.50A			
	Cycle	14.4-15.0V/77°F(25°C)		
	Stand By	13.5-13.8V/77°F(25°C)		

**These data are average values obtained from three Charge/Discharge cycles. Note: These are NOT minimum values.